

Yacht Entertainment Systems LLC

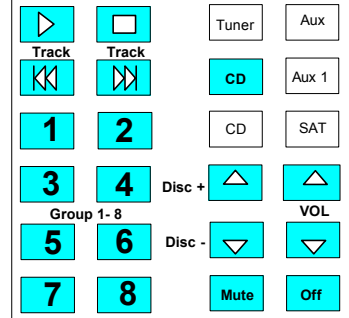


Ft. Lauderdale, Florida E-mail: YachtAV@bellsouth.net

Darren Coleman 954-663-3833
Joey Ricciardelli 954-242-5368

Keypads

Highlights show functions available when CD is selected.



Offering a Range of Marine Audio-Video Services:

- Surveys - Consultation - Design - Installation - Service & Programming
- Customer orientation to system operations.
- Easy to follow instruction sheets to aid in operation of your Audio Video System.
- Comprehensive schematic drawings and cable pull list of system design.

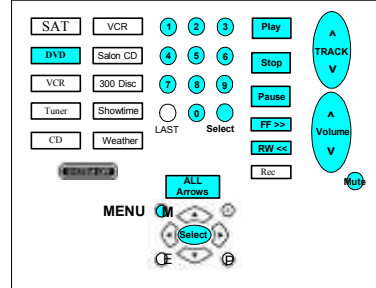
How will you control your system?

You may or may not know what it feels like to have 5 or 6 remote controls to operate your A/V system. In efforts to overcome this dilemma several options are available.

- Powerful learning IR remote control **Phillips Pronto** (Color or Black & White)
- **Keypad Systems**
- Wireless RF Remote System **Crestron - AMX - Niles Intellicontrol**

Niles Intellicontrol

Highlights show functions available when DVD is selected.



Easy To Follow Custom Designed Instruction Sheets:

After a final walk through and orientation you will be provided with easy to follow instruction sheets taylor made specifically for your system. To the right you see a brief example of what will appear on your customized instruction sheets.

- In our keypad example you will notice the **blue highlights** depict the keys that will be active when you select the multi CD changer. When choosing another device such as "Tuner" different keys will be highlighted in yellow on the instruction sheet. This will let you know what keys are active and can be used when accessing the tuner.
- The **same blue highlight** applies for the instruction sheet provided with the **Niles Intellicontroller System**. (Shown to the right)

Example of a cable pull list

Location	Cable Type	Pull From	Pull To	Purpose
Salon	RG6	Distribution CATV	Salon VCR	Cable TV
Salon	RG6	Distribution DSS	Salon Stereo	DSS Video
Salon	18/4 Shld	Distribution DSS	Salon Stereo	DSS Audio
Salon	RG6	Distribution FM	Salon Stereo	FM Radio
Salon	CAT5	Distribution Telephone	Salon Stereo	Phone Line
Master S/R	RG6	Distribution FM	Master Stereo	FM Radio
Master S/R	RG6	Master Stereo	Master Plasma	Master Video

IR / RF Universal Learning

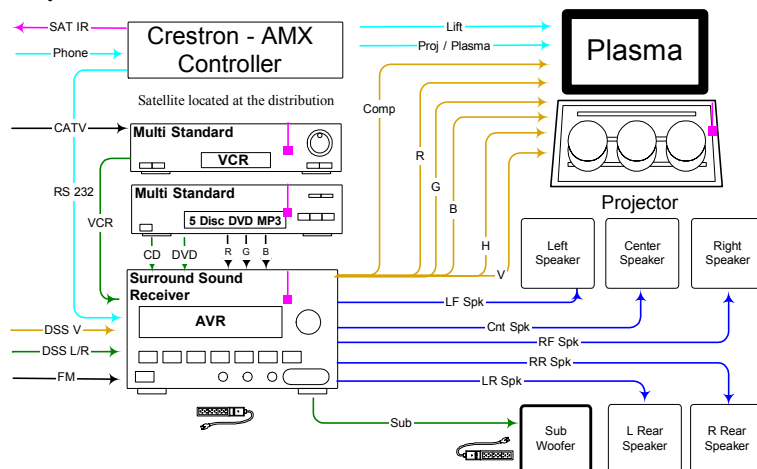


Wireless RF Panels



Crestron

Example schematic drawing of surround sound system with a projector or flat screen plasma. Controlled by the AMX RF Wireless system.



AMX Touch Panel



Niles Intellicontrol